

# WH03041

**FIRMAN**<sup>®</sup>  
POWER EQUIPMENT

8644 W. LUDLOW DR.  
PEORIA, AZ 85381  
1-844-347-6261

WWW.FIRMANPOWEREQUIPMENT.COM

GAS: 3300 / 3000 WATT -LPG: 3000 / 2700 WATT RECOIL START  
DUAL FUEL INVERTER PORTABLE GENERATOR  
EPA CARB AND cETL CERTIFIED

UPC // 840876130414

GAS STARTING / RUNNING WATTS// 3300 / 3000

LPG STARTING / RUNNING WATTS// 3000 / 2700

VOLTAGE // 120V

FREQUENCY // 60Hz

ENGINE TYPE // OHV

STARTING SYSTEM // RECOIL

FUEL TANK VOLUME// 1.8 GAL

RUN-TIME // UP TO 9 HRS (@25% LOAD)

DECIBLES// 58 dB (@7m @25% LOAD)

CARTON L×W×H// 28.7" × 18.9" × 19.3"

GROSS WEIGHT// 108 LBS.

UNIT WEIGHT// 90 LBS.

UNITS PER PALLET// 4 / 6 / 8 / 12 / 16

UNITS PER CONTAINER// 354 / 40HQ

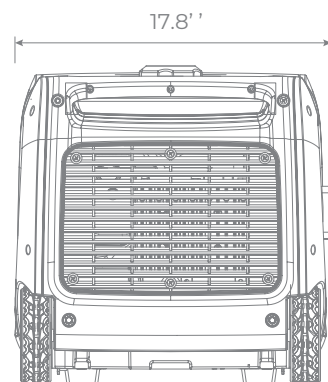
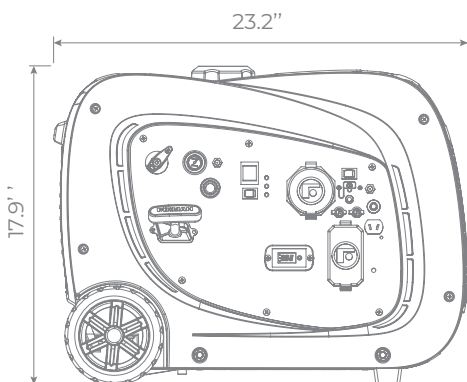
## CONTROL PANEL

(2) 5-20R 20A-120V

(1) TT-30R 30A-120V RV READY

(1) DC OUTLET 8.3A-12V

(1) USB OUTLET 2.1A-5V



## BEST USED FOR



# FIRMAN<sup>®</sup> WH3300IE

DUAL FUEL

**Fuel Selector Switch**  
Interruptor Selector de Combustible

LPG  
GAL  
GAL  
GAL  
LPG

**OUTPUT READY**  
CORRIENTE LISTA  
BOUTE PUIS

**OVERLOAD PROTECTION**  
PROTECCIÓN SOBRECARGA

**ECHO MODE**  
MODO ECO  
ECO MODE

**BATTERY CHARGE PORT**  
CARGA BATERÍA  
DE BATERÍA

**DC SYSTEM FUSING**  
AC SYSTEM FUSIBLES  
DC RESCUE PLATING

**12 VDC**  
0.5A

**120 VAC 20A**

**3300** RUNNING HOURS  
HORAS DE CORRIENTE  
PROVIDED IN STANDARD  
MODE

**3000** RUNNING HOURS  
HORAS DE CORRIENTE  
PROVIDED IN ECONOMY  
MODE

**3000** RUNNING HOURS  
HORAS DE CORRIENTE  
PROVIDED IN STANDARD  
MODE

**2700** RUNNING HOURS  
HORAS DE CORRIENTE  
PROVIDED IN ECONOMY  
MODE

**FIRMAN** Digital Display MP-03

V Hz H

**NOTE:** An AWG document printed cable with ground to ground.  
**CAUTION:** Do not use extension cables with ground to ground.  
**NOTE:** Do not use extension cables with ground to ground.  
**CAUTION:** Do not use extension cables with ground to ground.

