

W03382

3650 / 3300 WATT ELECTRIC START
INVERTER PORTABLE GENERATOR
EPA CARB AND cETL CERTIFIED

FIRMAN[®]
POWER EQUIPMENT

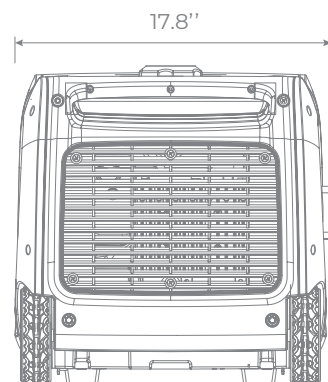
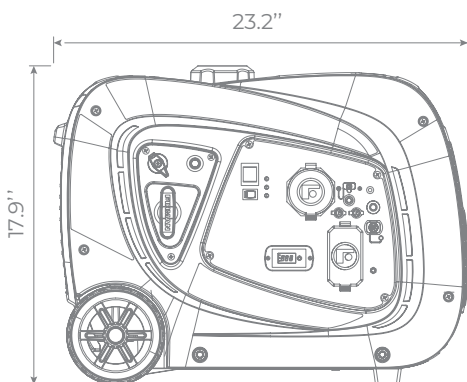
8644 W. LUDLOW DR.
PEORIA, AZ 85381
1-844-347-6261

WWW.FIRMANPOWEREQUIPMENT.COM

UPC // 840876133828
STARTING WATTS // 3650
RUNNING WATTS // 3300
VOLTAGE // 120V
FREQUENCY // 60Hz
ENGINE TYPE // OHV
STARTING SYSTEM // ELECTRIC / RECOIL
FUEL TANK VOLUME // 1.8 GAL
RUN-TIME // UP TO 8 HRS (@25% LOAD)
DECIBLES // 58 dB (@7m @25% LOAD)
CARTON L×W×H // 26.6" × 18.9" × 19.3"
GROSS WEIGHT // 103 LBS.
UNIT WEIGHT // 91 LBS.
UNITS PER PALLET // 8 / 12 / 16
UNITS PER CONTAINER // 400 / 40HQ

CONTROL PANEL

- (2) 5-20R 20A-120V
- (1) TT-30R 30A-120V RV READY
- (1) DC OUTLET 8.3A-12V
- (1) USB OUTLET 2.1A-5V



BEST USED FOR



W3650IE

Parallel Capable
Capaz Paralelo
Capable parallèle



3650 WATT MAX OUTPUT
WATT MAX SORTIE
WATT MAX SORTIE
3300 WATT MAX
WATT MAX SORTIE
WATT MAX SORTIE

Fuel tank with cap and handle. Includes a fuel gauge and a fuel filter. The handle is labeled "FIRMAN".

Red power switch with "ON" and "OFF" positions. Below it is a black reset button. Labels include "STOP ENGINE" and "RESET".

Large AC output socket with a yellow cable plugged in. Includes a "120 VAC 20A PV" label and a "PARALLEL OPERATION" label. There are also several smaller DC output ports.

Digital display showing "88.8". Labels include "FIRMAN Digital Display", "V", "Hz", and "H".

FIRMAN®

STOP NO REF RETURN TO STORE
Call us First
1-844-947-9881
FOR QUESTIONS OR SERVICE INFORMATION

ARRÊT NE PAS RETOURNER À LA MAGASIN
Appelez nous d'abord
1-844-947-9881
POUR TOUTE QUESTION OU SERVICE

ALTO NO LO DEVUELVA A LA TIENDA
Primero llámanos
1-844-947-9881
PARA LA INFORMACIÓN O PRECUNTAS O SERVICIO