

W01784

2100 / 1700 WATT RECOIL START
INVERTER PORTABLE GENERATOR WITH ADAPTER AND BUILT-IN PARALLEL KIT
EPA CARB AND cETL CERTIFIED

FIRMAN[®]
POWER EQUIPMENT

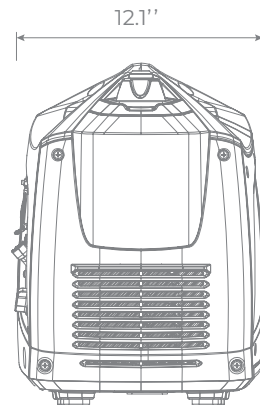
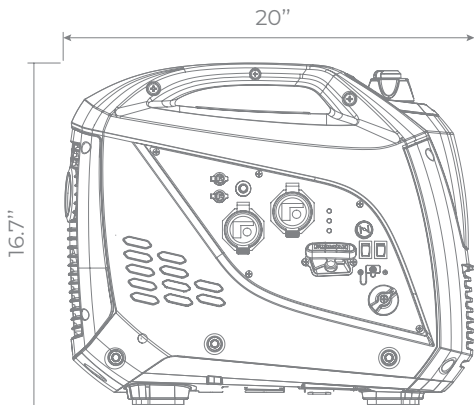
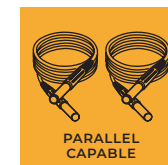
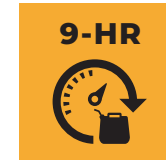
8644 W. LUDLOW DR.
PEORIA, AZ 85381
1-844-347-6261

WWW.FIRMANPOWEREQUIPMENT.COM

UPC // 840876117842
STARTING WATTS // 2100
RUNNING WATTS // 1700
VOLTAGE // 120V
FREQUENCY // 60Hz
ENGINE TYPE // OHV
STARTING SYSTEM // RECOIL
FUEL TANK SIZE // 0.9 GAL
RUN-TIME // UP TO 9 HRS (@25% LOAD)
DECIBLES // 54 dB (@7m @25% LOAD)
CARTON L×W×H // 21.7" × 15.0" × 18.5"
GROSS WEIGHT // 54 LBS.
UNIT WEIGHT // 45.9 LBS.
UNITS PER PALLET // 18 / 12
UNITS PER CONTAINER // 632 / 40HQ
BONUS // ADAPTER

CONTROL PANEL

- (1) 5-20R 20A-120V
- (1) L5-30R 30A-120V TWIST LOCK
- (1) L5-30P TO TT-30R 30A-120V ADAPTER
- (1) USB OUTLET 2.1A-5V



BEST USED FOR





1700
RUNNING WATTS
VATIOS DE CONTINUOS
POISSANCE DE FONCTIONNEMENT

2100
STARTING WATTS
VATIOS DE ARRANQUE
POISSANCE DE DÉMARRAGE

W2100i

PARALLEL
OPERATE
SAISON EN
PARALLÈLE
OPERATION
PARALLÈLE

AC/CA 120V 20A

AC/CA 120V 30A

OUTPUT READY
CORRIENTE LISTO
SORTIE PRÊT

OVERLOAD
SOSRECHARGE
SURCHARGE

START
DÉMARRAGE
ARRANQUE

FUEL
CHARGEUR
COURANT

FIRMAN

STOP

120V 2.1A

FLOATING NEUTRAL
NEUTRE FLOTTANT
NEUTRO FLOTANTE

FIRMAN[®]

